

# Hand Pallet Truck



## Model: BF

1KG=2.205LB 1INCH=25.40MM

Model	BF			
Capacity	Q(kg)	2500/3000	2500/3000	
Lowered fork height	h <sub>l</sub> (mm)	85	75	
Steering wheel	mm	φ200	φ180	
Fork wheel single	mm	φ 80x93	φ 74x93	
Fork wheel tandem	mm	φ 80x70	φ 74x70	
Max. lift height	h <sub>l</sub> (mm)	200	190	
Total height	h <sub>t</sub> (mm)	1224	1214	
Overall length	l(mm)	1483/1533/1603	1483/1533/1603	
Fork length	l <sub>f</sub> (mm)	1100/1150/1220	1100/1150/1220	
Width overall forks	b <sub>f</sub> (mm)	520/550/685	520/550/685	
Ground clearance, centre of wheelbase	m <sub>c</sub> (mm)	40	30	
Aisle width for pallets 1000x200 crossways	A <sub>c</sub> (mm)	1683/1733/1803	1683/1733/1803	
Aisle width for pallets 800x1200 lengthways	A <sub>l</sub> (mm)	1783/1783/1803	1783/1783/1803	
Turning radius	W <sub>t</sub> (mm)	1216/1266/1336	1216/1266/1336	
Service weight	kg	60-75	60-75	



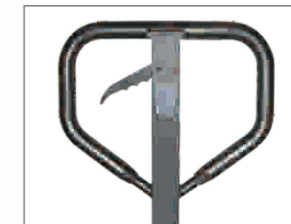
### Innovative design, comprehensive testing and highest quality !

- Most standard and popular model with capacity 2500 - 3000kgs.
- With Copping Supporting NCG & strengthening ribbing under top triangle cover.
- Complete pump design with reliable leak-proof pump eliminating maintenance and extending the service time.
- 210 steering arc, and small turning radius.
- Fork Lowering speed is controllable, operated by hand control and foot pedal.
- Entry/ exit roller, more freely travel.
- Equipped with over-load valve, with long service time.
- 3 position hand control - Raise, Lower, Neutral.
- 12 lubrication grease nipples on all movable parts for easy maintenance.
- Adjustable pump cap ensures a long service life.
- Ergonomic large rubber handle with three control lever.
- Option: 1) Nylon wheel, polyurethane wheel, rubber wheel, single fork roller or tandem fork rollers.  
2) Fork length: 800mm, 900mm, 1000mm.  
3) Foot pedal release.  
4) Pump color: black painting, silver painting.

# CE

Conforms to EN 1503691-5  
Based on Directive 2006/42/EC

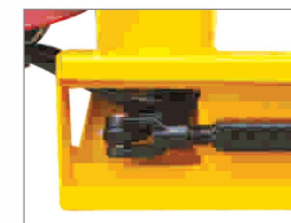
*Professional*



Option: fully rubber wrapped handle



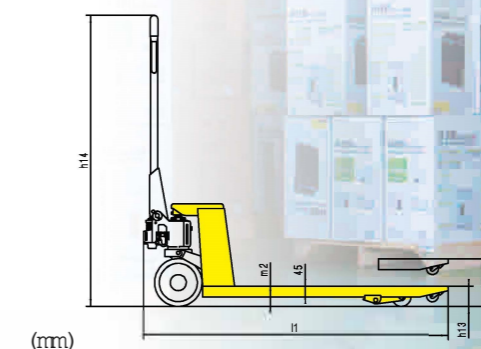
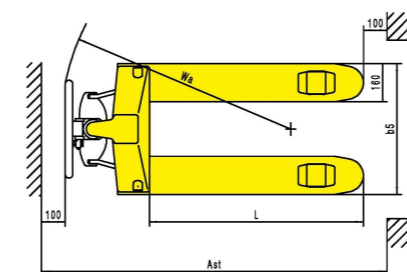
Adjustable pump cap



Adjustable straight tappet



Additional entry and exit roller



Remark: Special size fork width and length can be made according to customer's requirement.

- Electric Pallet Truck
- Electric Stackcar
- Order Picker
- Narrow Aisle Truck
- Electric Tow Tractor
- Hand Pallet Truck
- Manual Stackcar
- Lift Table