





CATALOGO


TE08 And Details

Product Photo	Product Name & Model		Mini Crawler Excavator&TE08	
		Bucket Capacity		0.02m ³
Overall Dimension		2500*720*1350mm		
Engine		KOOP192F		
Engine Power		12hp/3600rpm		
Turning Radius		1400mm		
Max.Digging Height		2470mm		
Max.Dumping Height		1700mm		
Max.Digging Depth		1200mm		
Max.Digging Radius		2500mm		
Max.Vertical Digging Depth		1120mm		
Bucket excavating force		10kN		
Operating Weight		700kg		
Chassis Width		720mm		
North heavy Multi-way Valve		Zhenjiang Traveling Motor	Like Swing Motor	Changjiang Gear Pump

TE10 And Details

Product Photo	Product Name & Model		Mini Crawler Excavator&TE10	
		Bucket Capacity		0.022m ³
Overall Dimension		2600*860*1480mm		
Engine		KOOP 192FA		
Engine Power		8.2 KW/rpm		
Turning Radius		1290mm		
Max.Digging Height		2580mm		
Max.Dumping Height		1830mm		
Max.Digging Depth		2000mm		
Max.Digging Radius		2700mm		
Max.Vertical Digging Depth		1600mm		
Bucket excavating force		6.5 KN		
Operating Weight		850kg		
Chassis Width		860mm		
North heavy Multi-way Valve		Like Traveling Motor	Like Swing Motor	Tianji Hydraulic Pump

TE15 And Details

Product Photo	Product Name &Model		Mini Crawler Excavator&TE13	
		Bucket Capacity		0.03m ³
Overall Dimension		2900*1100*1550mm		
Engine		LD385/370 LAIDONG / YANMAR		
Engine Power		18.1kw/2200rpm 10kw/2200rpm		
Turning Radius		1600mm		
Max.Digging Height		2850mm		
Max.Dumping Height		2030mm		
Max.Digging Depth		1600mm		
Max.Digging Radius		3370mm		
Max.Vertical Digging Depth		1400mm		
Bucket excavating force		11kN		
Operating Weight		1280kg		
Chassis Width		1100mm		
North heavy Multi-way Valve		Like Traveling Motor	Like Swing Motor	Tianji Hydraulic Pump


TE17 And Details

Product Photo	Product Name &Model		Mini Crawler Excavator&TE17	
		Bucket Capacity		0.03m ³
Overall Dimension		2550*1100*2200mm		
Engine		85/370 LAIDONG / YANMAR		
Engine Power		18.1kw/2200rpm 10kw/2200rpm		
Turning Radius		1190mm		
Max.Digging Height		2740mm		
Max.Dumping Height		1750mm		
Max.Digging Depth		1800mm		
Max.Digging Radius		2400mm		
Max.Vertical Digging Depth		1420mm		
Bucket excavating force		14.8kN		
Operating Weight		1400kg		
Chassis Width		1100mm		
Taifeng Multi-way Valve		Like Traveling Motor	Like Swing Motor	Shimadzu Hydraulic Pump

TE20 And Details

Product Photo	Product Name &Model		Mini Crawler Excavator&TE20	
		Bucket Capacity	0.06m ³	
	Overall Dimension	3600*1060*2200mm		
	Engine	LAIDONG / YANMAR		
	Engine Power	18.1kw/2200rpm 19.6KW/2300rpm		
	Turning Radius	1150mm		
	Max.Digging Height	3400mm		
	Max.Dumping Height	2200mm		
	Max.Digging Depth	2100mm		
	Max.Digging Radius	3300mm		
	Max.Vertical Digging Depth	2000mm		
	MAX.Digging Force	14KN		
	Operating Weight	1900kg		
	Chassis Width	1060mm		
	North heavy Multi-way Valve	EATON Traveling Motor	EATON Swing Motor	Tianji Hydraulic Pump

TE25 And Details

Product Photo	Product Name &Model		Mini Crawler Excavator&TE25	
		Bucket Capacity	0.06m ³	
Overall Dimension		3850*1200*2300mm		
Engine		YANMAR 388		
Engine Power		19.6KW/2300rpm		
Turning Radius		1950mm		
Max.Digging Height		3500mm		
Max.Dumping Height		2200mm		
Max.Digging Depth		2500mm		
Max.Digging Radius		4200mm		
Max.Vertical Digging Depth		1930mm		
Max.Lift Height of Dozer Blade		165mm		
Digging Power(Bucket)		10KN		
Gradeability		35°		
Operating Weight		2200kg		
Chassis Width		1200mm		
	TAI FENG Multi-way Valve	EATON Traveling Motor	EATON Swing Motor	Shimadzu Hydraulic Pump

TE30 And Details

Product Photo	Product Name & Model		Mini Crawler Excavator&TE30	
		Bucket Capacity	0.1m ³	
	Overall Dimension	4180*1350*2200mm		
	Engine	CHANGCHAI / YANMAR		
	Engine Power	24.5kw/2200rpm 19.6KW/2300rpm		
	Turning Radius	1300mm		
	Max.Digging Height	3900mm		
	Max.Dumping Height	2600mm		
	Max.Digging Depth	2500mm		
	Max.Digging Radius	5486mm		
	Max.Vertical Digging Depth	2300mm		
	Digging Power(Bucket)	22KN		
	Gradeability	35°		
	Operating Weight	2700kg		
	North heavy Multi-way Valve	EATON Traveling Motor	EATON Swing Motor	TAI FENG Plunger Hydraulic Pump

TE35 And Details


Product Photo	Product Name & Model		Mini Crawler Excavator&TE35	
		Bucket Capacity	0.1m ³	
	Overall Dimension	4180*1500*2200mm		
	Engine	XINCHAI / YANMAR		
	Engine Power	36.8kw/2400rpm 19.6KW/2300rpm		
	Turning Radius	1300mm		
	Max.Digging Height	3900mm		
	Max.Dumping Height	2600mm		
	Max.Digging Depth	2500mm		
	Max.Digging Radius	5486mm		
	Fuel tank capacity	20L		
	Digging Power(Bucket)	22.19KN		
	Gradeability	35°		
	Operating Weight	2900kg		
	North heavy Multi-way Valve	EATON Traveling Motor	EATON Swing Motor	NACHI Plunger Hydraulic Pump




TE40 And Details

Product Photo	Product Name &Model		Mini Crawler Excavator&TE40				
	Bucket Capacity		0.3m ³				
	Overall Dimension		4400*1600*2200mm				
	Engine		XINCHAI / YANMAR				
	Engine Power		36.8kw/2400rpm 19.6kw/2200rpm				
	Turning Radius		2400mm				
	Max.Digging Height		4450mm				
	Max.Dumping Height		3050mm				
	Max.Digging Depth		2550mm				
	Max.Digging Radius		4730mm				
	Fuel tank capacity		45L				
	Digging Power(Bucket)		35KN				
	Gradeability		35°				
	Operating Weight		4000kg				
	TAI FENG Multi-way Valve		BU ER YUE Traveling Motor		BU ER YUE Swing Motor		TAI FENG Plunger Hydraulic Pump

TE50 And Details

Product Photo	Product Name &Model		Mini Crawler Excavator&TE50					
	Bucket Capacity		0.12m ³					
	Overall Dimension		5262*1530*2500mm					
	Engine		490					
	Engine Power		36.8kw/2100rpm					
	Turning Radius		2056mm					
	Max.Digging Height		5060mm					
	Max.Dumping Height		4899mm					
	Max.Digging Depth		3607mm					
	Max.Digging Radius		5374mm					
	Turning Speed		11.5 r/min					
	Digging Power(Bucket)		24.2 KN					
	Operating Weight		4800kg					
	Multi-way Valve		Traveling Motor		Swing Motor		Plunger Hydraulic Pump	

TE18S And Details

	Product Name &Model		Mini Crawler Excavator&TE18S	
	Bucket Capacity		0.04m ³	
	Overall Dimension		3300*1110*2360mm	
	Engine		KubotaD902	
	Engine Power		11.8kw/2200rpm	
	Turning Radius		1660mm	
	Max.Digging Height		3310mm	
	Max.Dumping Height		2370mm	



Max.Digging Depth	2120mm		
Max.Digging Radius	3570mm		
Digging Power(Bucket)	13.8kN		
Gradeability	35°		
Operating Weight	1520kg		
North Heavy Multi-way Valve	LikeSingle-speed Traveling Motor	Like Swing Motor	Tianji Gear Pump


TE20S And Details

Product Photo	Product Name &Model	Mini Crawler Excavator&TE20S		
	Bucket Capacity	0.04m ³		
	Overall Dimension	3570*990*2250mm		
	Engine	YANMAR/ Kubota D902		
	Engine Power	10.3 KW/2200rpm 11.8 KW/2200rpm		
	Turning Radius	1430mm		
	Max.Digging Height	3540mm		
	Max.Dumping Height	2440mm		
	Max.Digging Depth	2310mm		
	Max.Digging Radius	3840mm		
	Digging Power(Bucket)	14.8 KN		
	Gradeability	35°		
	Operating Weight	1760 kg;1920 kg		
	TAI FENG Multi-way Valve	Likechuan Double-speed Traveling Motor	EATON Swing Motor	Taifeng Plunger Hydraulic Pump


TE26S And Details

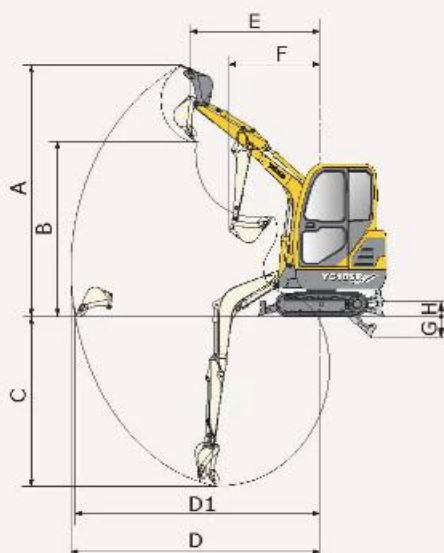
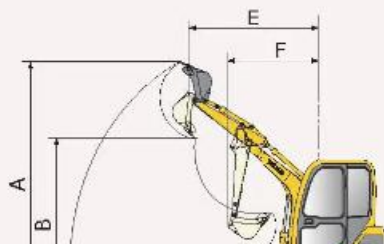
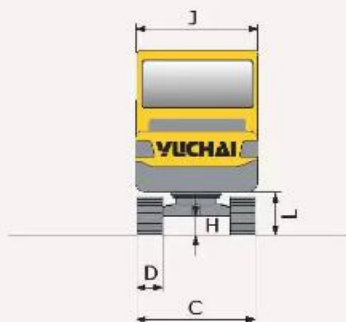
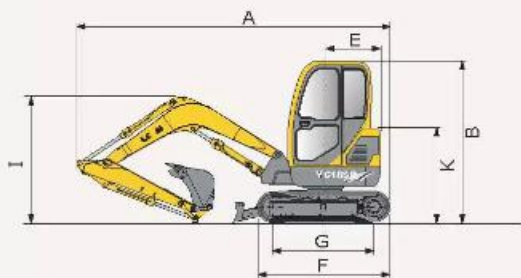
Product Photo	Product Name &Model	Mini Crawler Excavator&TE26S		
	Bucket Capacity	0.066m ³		
	Overall Dimension	3850*1300*2380mm		
	Engine	YANMAR 3TNV76		
	Engine Power	15KW/2400rpm		
	Turning Radius	1850mm		
	Max.Digging Height	3880mm		
	Max.Dumping Height	2550mm		
	Max.Digging Depth	2320mm		
	Max.Digging Radius	4015mm		
	Digging Power(Bucket)	18.4 KN		
	Gradeability	35°		
	Operating Weight	2480kg		
TAI FENG Multi-way Valve	Likechuan Double-speed Traveling Motor	EATON Swing Motor	TAI FENG Plunger Hydraulic Pump	

TE28S And Details

	Product Name &Model		Mini Crawler Excavator&TE28S	
	Bucket Capacity		0.066m ³	
	Overall Dimension		3982*1300*2380mm	
	Engine		YANMAR 3TNV76	
	Engine Power		15KW/2400rpm	
	Turning Radius		2004mm	
	Max.Digging Height		4122mm	
	Max.Dumping Height		2882mm	
	Max.Digging Depth		2820mm	
	Max.Digging Radius		4246mm	
	Digging Power(Bucket)		18.4 KN	
	Max.Vertical Digging Depth		2300mm	
	Operating Weight		2590kg	
	TAI FENG Multi-way Valve		Likechuan Double-speed Traveling Motor	EATON Swing Motor

TE35S And Details

	Product Name &Model		Mini Crawler Excavator&TE35S	
	Bucket Capacity		0.09m ³	
	Overall Dimension		4485*1550*2440mm	
	Engine		YANMAR 3TNV88	
	Engine Power		20.5kw/2400rpm	
	Turning Radius		2035mm	
	Max.Digging Height		4600mm	
	Max.Dumping Height		3175mm	
	Max.Digging Depth		2880mm	
	Max.Digging Radius		4845mm	
	Digging Power(Bucket)		26.5 KN	
	Max.Vertical Digging Depth		2305mm	
	Operating Weight		3515kg	
	TAI FENG Multi-way Valve		Likechuan Double-speed Traveling Motor	EATON Swing Motor



1. Dimension parameters

	Description	Unit	YC18SR
	Operating weight	kg	Canopy 1,750 Cabin 1,850
	Standard bucket capacity	m ³	0.05
	Engine model	PERKINS 403C-11	
	Engine power	kW/min ⁻¹	14.7/2,200
	Operation hydraulic pressure	Mpa	20.6
A	Machine length	mm	3,835
B	Machine height	mm	Canopy 2,285 Cabin 2,350
C	Overall width	mm	1,080 - 1,400
D	Crawler width	mm	230 (rubber crawler)
E	Platform slewing radius	mm	700
F	Crawler length	mm	1,628
G	Wheel base	mm	1,261
H	min. ground clearance	mm	198
I	Overall height	mm	1,214
J	Width of platform	mm	1,060
K	Height of engine hood	mm	1,265
L	Height from floor to platform	mm	478
	Width of bucket	mm	470
	Walking speed (low/high)	km/h	1.7/3.0
	Platform slewing speed	min ⁻¹	11
	max. gradeability	°	30 (58%)
	max. hauling force	kN	14.6
	Boom swing angle (left/right)	°	50/70

2. Operating parameters

	width of bucket	mm	470
	Walking speed (low/high)	km/h	1.7/3.0
	Platform slewing speed	min ⁻¹	11
	max. gradeability	°	30 (58%)
	max. hauling force	kN	14.6
	Boom swing angle (left/right)	°	50/70

2. Operating parameters

	Description	Unit	YC18SR
A	max. digging height	mm	3,360
B	max. dumping height	mm	2,330
C	max. digging depth	mm	2,150
D	max. digging radius	mm	4,060
D1	max. horizontal digging length	mm	4,180
E	max. digging height radius	mm	2,765
F	min. slewing radius	mm	1,860
G	max. depth of bulldozer	mm	163
H	max. height of bulldozer	mm	247
	max. digging force	kN	14.3