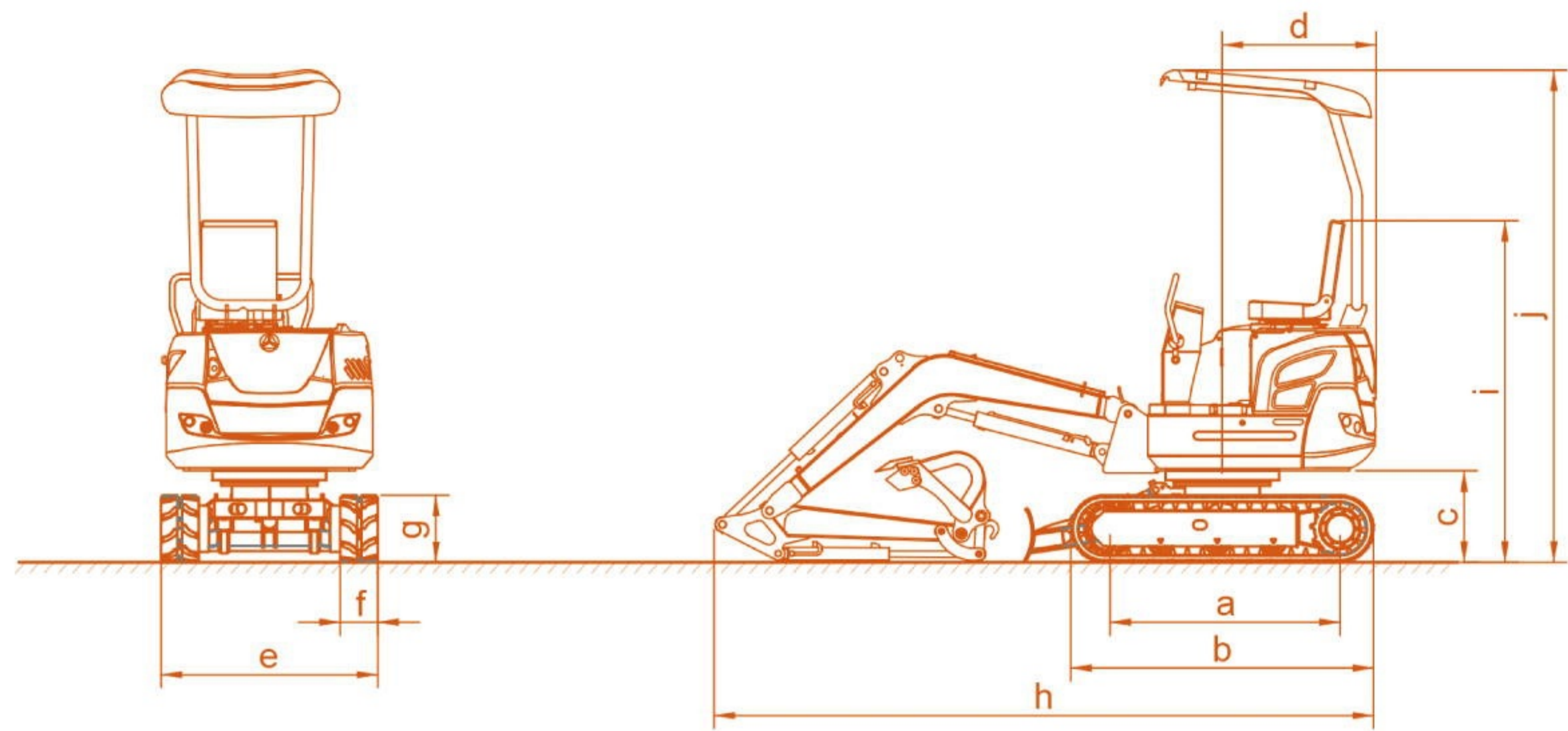
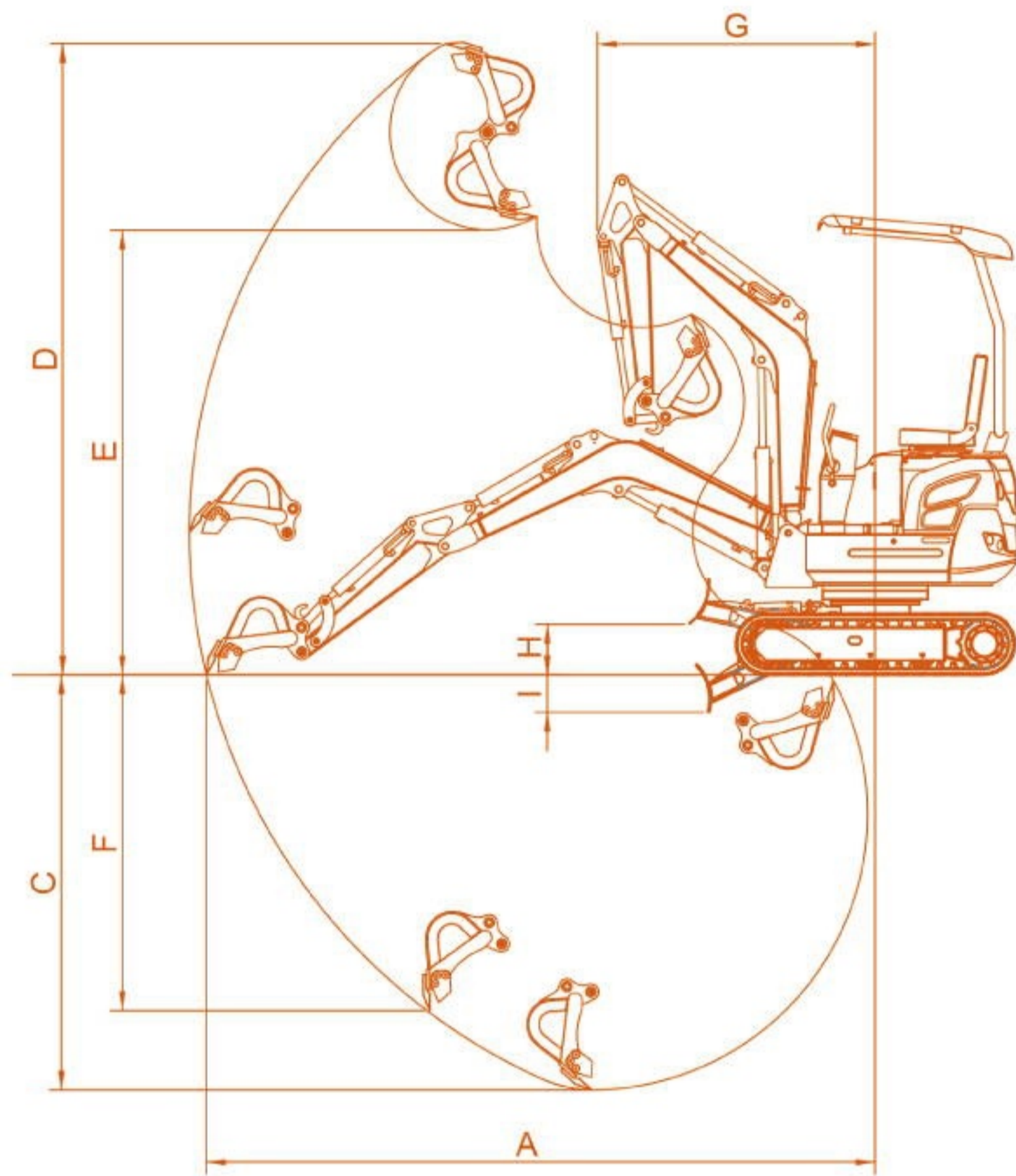


# ERE16





# ERE16 CRAWLER EXCAVATOR



## Technical Parameter

Platform Ground Clearance	460mm	Wheel Base	1290mm
Platform Back Turning Radius	740mm	Total Length of Track	1670mm
Chassis Width	1130mm	Operating Weight	16000kg
Track Width	180 mm	Engine	Yanmar (3TNV70-S)
Chassis Ground Clearance	460 mm	Rated Power	10kw/2200/r/min
Bucket Digging Force	10.5Kn	Displacement	0.854L
Arm Digging Force	6.5Kn	Bore Stroke	Three Cylinder, Water Cool
Rubber Track Height	320 mm	Main Pump	KDK
Max. Digging Depth	2150 mm	Pump Flow	23L/Min
Max. Vertical Digging Depth	1740 mm	Valve	BEIFANG
Max. Digging Height	3275 mm	Displacement	6.8ml/r
Max. Dumping Height	2310 mm	Swing Motor	EATON
Max. Digging Radius On Ground	3470 mm	Traveling Motor	DONGHYUAN
Min. Rotation Radius	1440 mm	Overall Dimension( LxWxH)	3160x1040x2377mm
Max	192 mm	Digging Bucket Capacity	0.045cbm/400kg
Max. Upgrade Height Of Bulldozer Blade	262 mm	Digging Bucket Width	400mm, can add narrow bucket is 200mm



**World Made Limited**

Add. Unit. 304-7, 3/F Laford Centre, 838 Lai Chi Kok Road, Cheung Sha Wan, Kowloon, HongKong  
Ph. (852) 2915.8198 E-mail: info@worldmadeltd.net www.worldmadeltd.net TIN. 72214994